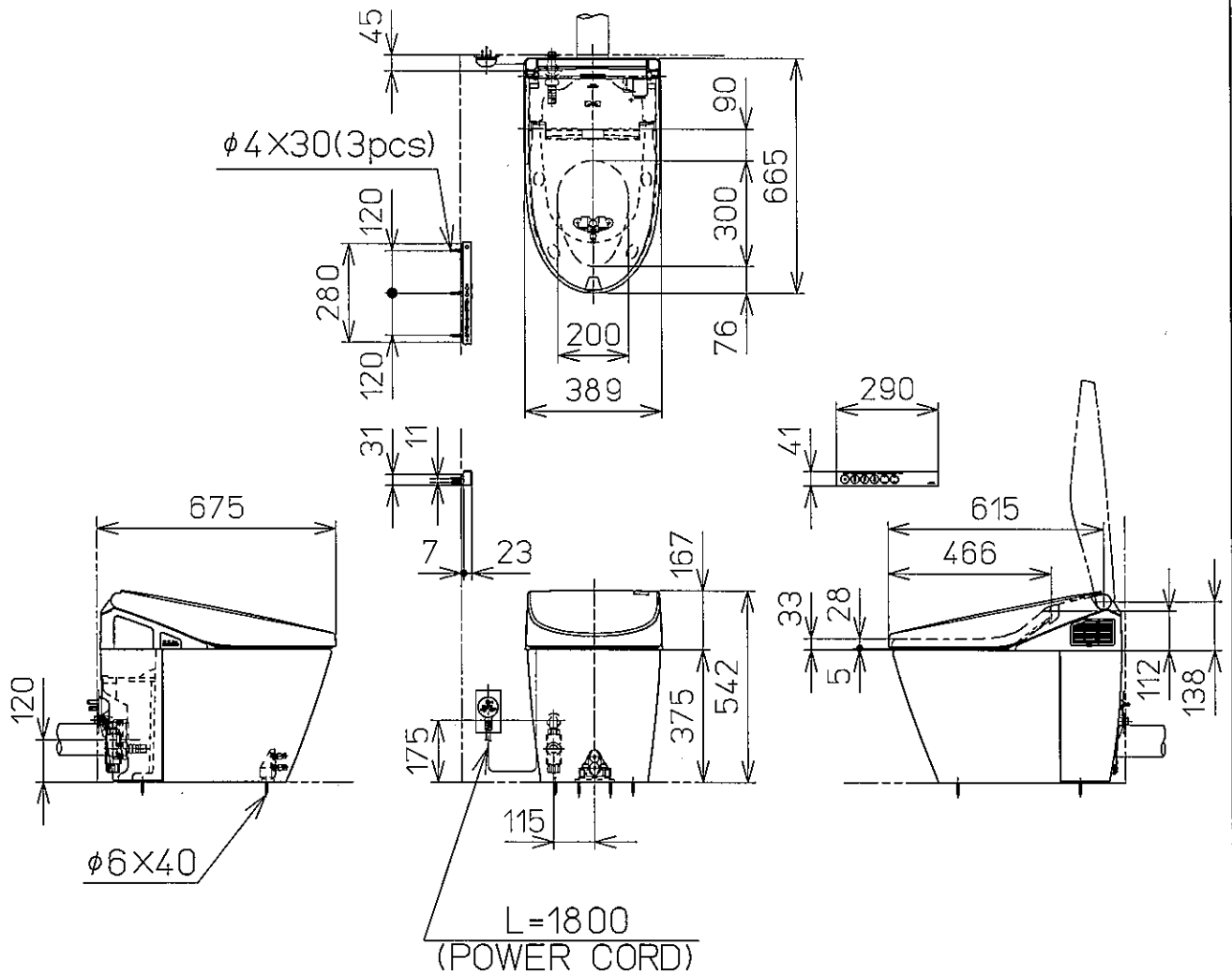


in case of floor water supply specification



in case of wall water supply specification

<b>TOTO</b> LTD. KITAKYUSHU JAPAN			UNITS mm	TITLE Siphon Jet Toilet Direct Connection to Water Supply Pipe(For NEOREST A)
DR.BY TAKATA	CH.BY TANAKA MATUI	DATE 07-10-18	SCALE 1 : 20	ITEM NO.
NOTE				CS966PTA/TCF9683AJ
A4		PAGE NO.		(REV)