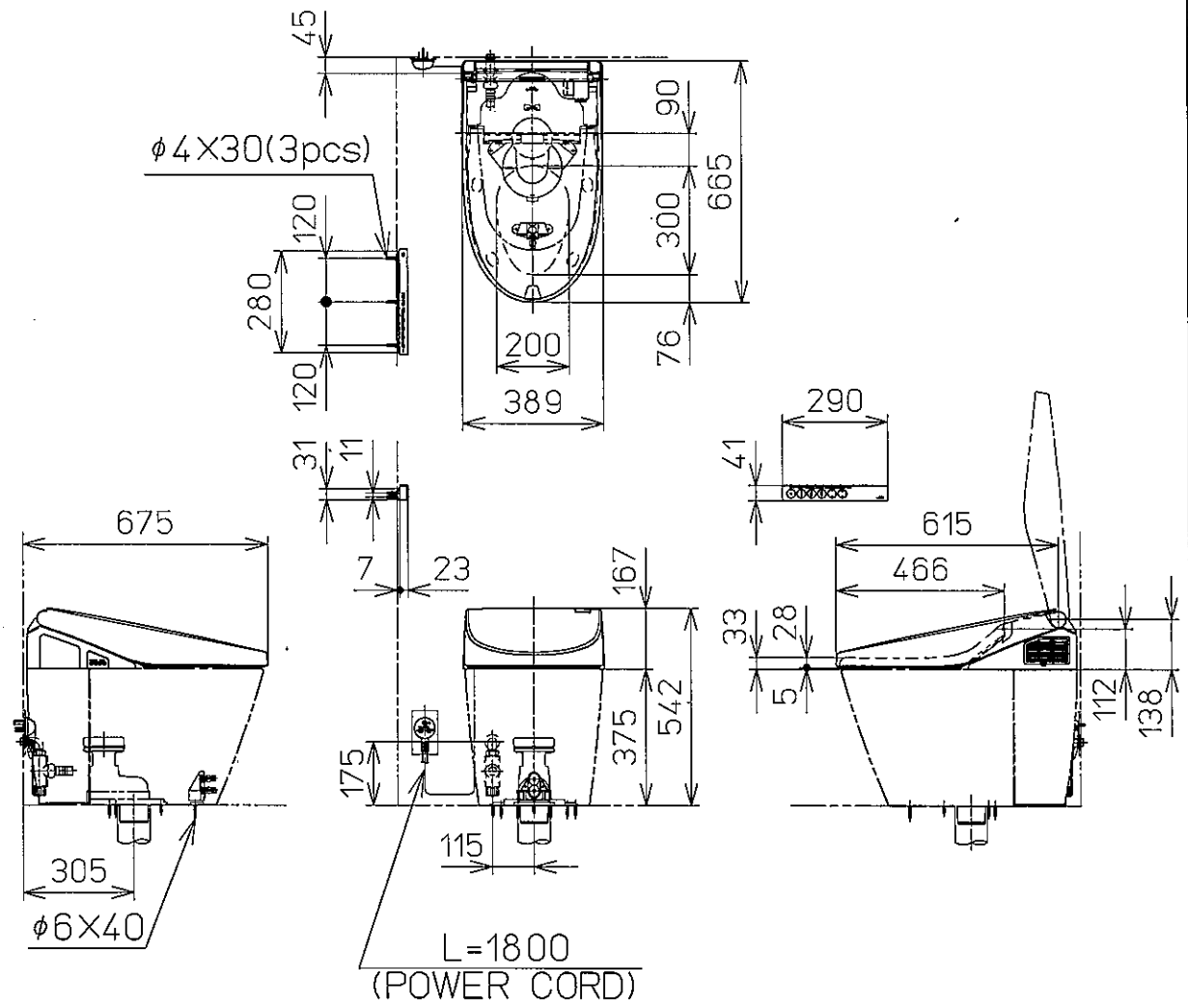


in case of floor water supply specification



in case of wall water supply specification

TOTO LTD. KITAKYUSHU JAPAN			UNITS mm	TITLE Siphon Jet Toilet Direct Connection to Water Supply Pipe(For NEOREST A)
DR.BY TAKATA	CH.BY TANAKA MATUI	DATE 07-10-09	SCALE 1 : 20	ITEM NO.
NOTE				CS966TA/TCF9683AJ